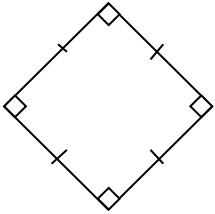
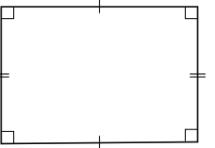
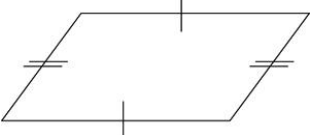
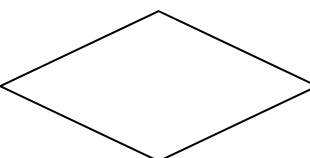
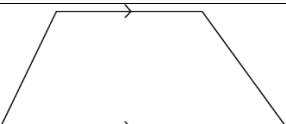
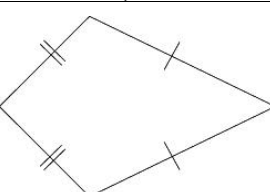


Lesson 3 Worksheet

To be able to identify the properties of quadrilaterals.

TASK – Look at the quadrilaterals below and complete the properties tables below using ticks to identify what each quadrilateral has.

	Square
	Rectangle
	Parallelogram
	Rhombus
	Trapezium
	Kite

Quadrilateral	No parallel sides	1 pair of parallel sides	2 pairs of parallel sides
Square			
Rectangle			
Parallelogram			
Rhombus			
Trapezium			
Kite			

Quadrilateral	No equal sides	1 pair of equal sides	2 pairs of equal sides	4 equal sides
Square				
Rectangle				
Parallelogram				
Rhombus				
Trapezium				
Kite				

Quadrilateral	No perpendicular sides	1 pair of perpendicular sides	2 pairs of perpendicular sides	4 pairs of perpendicular sides
Square				
Rectangle				
Parallelogram				
Rhombus				
Trapezium				
Kite				

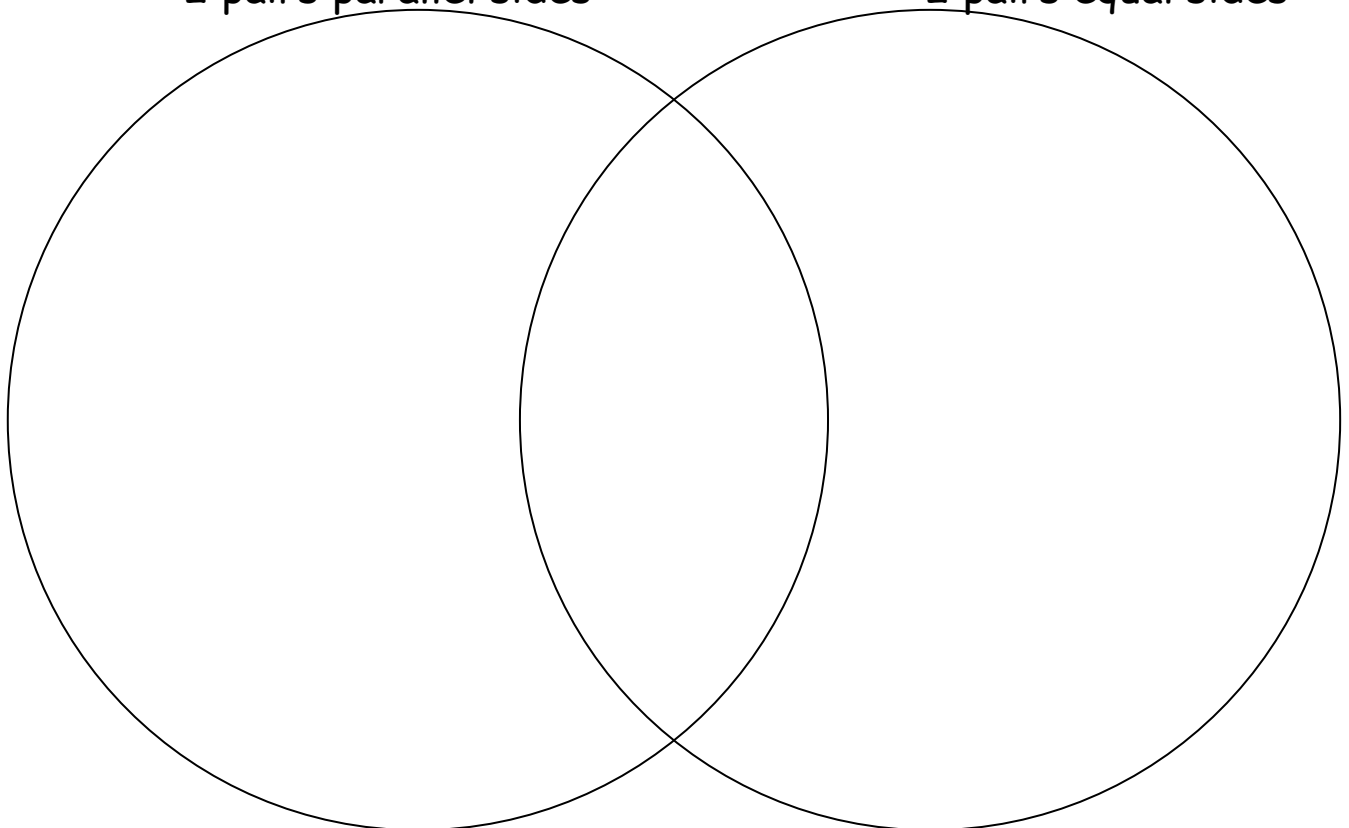
Quadrilateral	No equal angles	1 pair of equal angles	2 pairs of equal angles	4 equal angles
Square				
Rectangle				
Parallelogram				
Rhombus				
Trapezium				
Kite				

CHALLENGE: (For those who would like to have a go at an extra task.)

Look at our quadrilaterals again at the start of this worksheet. Sort these in the Venn Diagrams below according to the headings of each diagram.

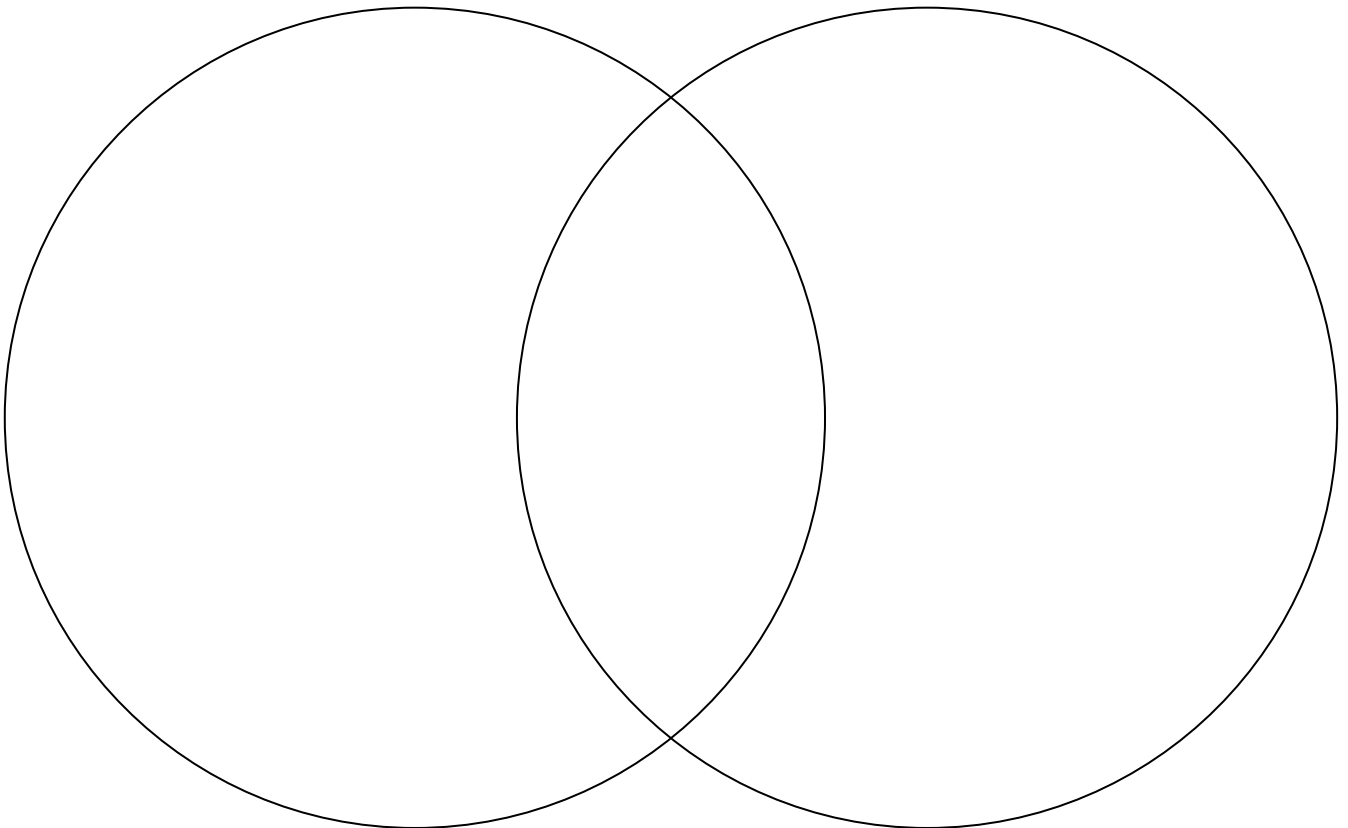
2 pairs parallel sides

2 pairs equal sides



4 equal sides

4 pairs perpendicular lines



2 pairs equal sides

No perpendicular lines

